

*Clip and Slide. Start cutting from **anywhere** on the bag!*

Bag/Pack cutter PK-1

FOR BOTH RIGHT- and LEFT-HANDED USERS STAINLESS STEEL BLADE

	MODEL	PK-1	
	PACKAGE	Plastic Bag	
	DATE	July, 2022	
	PACKAGE SIZE	W50 x H135mm	
BARCODE	0 91511 230567		
INNER BOX	20 pcs.	100 91511 23056 4	
MASTER CARTON	200 pcs.	500 91511 23056 2	



DESIGN OBJECTIVE

OLFA Bag Cutter PK-1 opens sealed packages such as vacuum packaging and food packages.

There can be many dangers when opening commercial food packages. With the increase in centralized kitchens, the cooking process is being simplified, and the need to open sealed packages is increasing. Many part-time staff work in the kitchens of big chain restaurants, and some are not too familiar with cooking. Under such circumstances, opening bags with a regular knife can be too risky. There is a need for tools that are easy to use, safer, and easier to clean.



TARGET MARKET & MARKET TRENDS

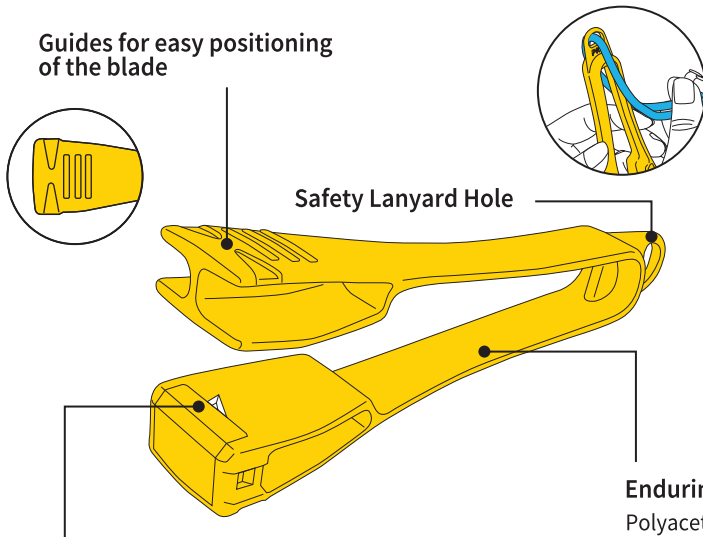
Food Service Industry / Food Factory / Kitchen Supply Shop

Super easy to use for all! The PK-1 increases efficiency of repeated opening tasks!

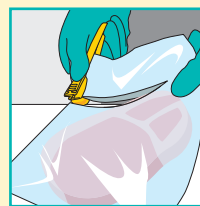
Blade is on the inner side of the handle, making it safe to use and unlikely to cause injury. V-shaped blade cuts in two directions, making the PK-1 for both left- and right-handed users. Blade is not replaceable, so dispose of the whole knife when the blade gets dull.

FEATURES

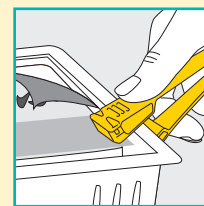
Guides for easy positioning of the blade



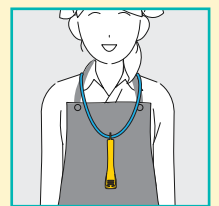
PK-1 is ideal for:



Opening vacuum packaging

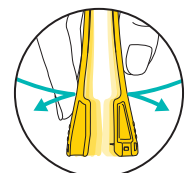


Opening food packaging



Wearing around the neck for convenience.

Enduring POM Handle for repeated opening tasks.
Polyacetal, which is known for its high durability, has a strong elasticity returning to its original shape.



V-shaped blade cuts in two directions.

Hard stainless-steel blade for long-lasting sharpness.
The blade is firmly fixed to the body by both physical and adhesive bonding.